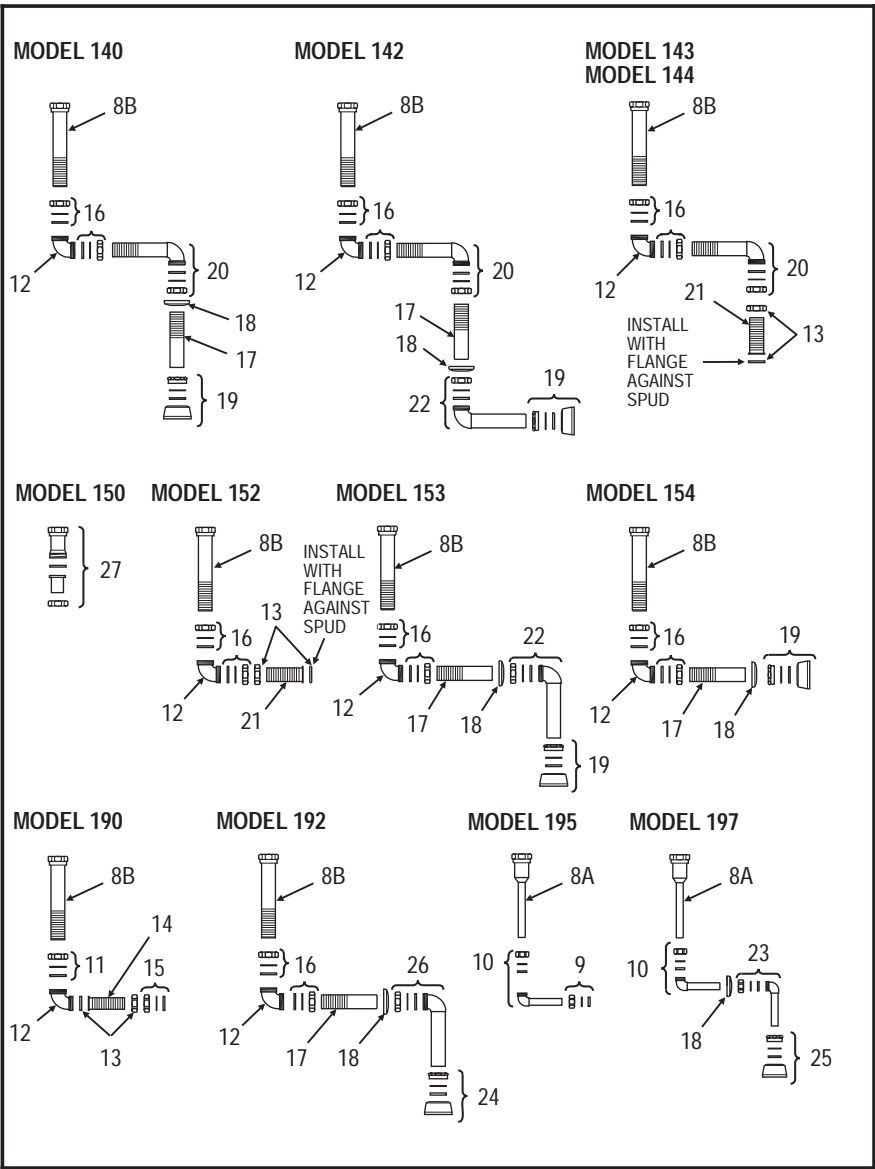
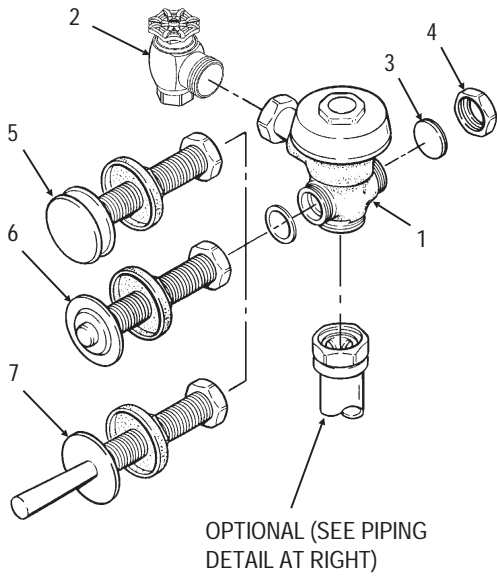


PARTS LIST



Item No.	Part No.	Description
1	†	Valve Body
2	H-730-A	Bak-Chek® Control Stop
3	K-46	Gasket
4	A-6	Coupling
5	C-43-A	3" (76 mm) Push Button Actuator Assembly
6	C-9-A	Blind Nut Push Button Actuator Assembly
7	B-12-A	Lever Actuator Assembly
8A	V-500-AA	3/4" (19 mm) x 10-1/2" (267 mm) Vacuum Breaker Assembly RB (Models 195 and 197)
8B	V-500-AA	1-1/2" (38 mm) x 11-1/2" (292 mm) Vacuum Breaker Assembly RB (Models 140, 143, 190 and 192)
	V-500-AA	1-1/2" (38 mm) x 7-1/2" (191 mm) Vacuum Breaker Assembly RB (Model 144)
	V-500-AA	1-1/2" (38 mm) x 6" (152 mm) Vacuum Breaker Assembly RB (Model 142)
	V-500-AA	1-1/2" (38 mm) x 22" (559 mm) Vacuum Breaker Assembly RB (Models 152, 153 and 154)
9	F-2-AW	3/4" (19 mm) Slip Joint Coupling RB
10	F-15-A	ELL with 3/4" (19 mm) Tail RB (Models 195 and 197)
11	F-2-A	1-1/2" (38 mm) Slip Joint Coupling
12	F-21	1-1/2" (38 mm) Double Slip Elbow

Item No.	Part No.	Description
13	F-2-A	1-1/2" (38 mm) Coupling with S-21 Gasket (for Model 154, Order Part Number F-5-A)
14	F-110	1-1/4" (32 mm) Outlet Tube
15	F-2-AU	1-1/4" (32 mm) Slip Joint Coupling RB
16	F-2-AA	1-1/2" (38 mm) Slip Joint Coupling (Set of Two)
17	F-102	1-1/2" (38 mm) Outlet Tube CP (for Models 143 and 144, Order Part Number F-100)
18	F-7	Flange (Not Furnished with Models 143 and 144)
19	F-5-A	1-1/2" (38 mm) Spud Coupling Assembly CP
20	F-25-A	1-1/2" (38 mm) Elbow Assembly
21	F-100	1-1/2" (38 mm) Outlet Tube RB (for Model 154, Order Part Number F-102)
22	F-15-A	1-1/2" (38 mm) Elbow Assembly CP
23	F-15-A	ELL with 3/4" (19 mm) Tail CP (Model 197)
24	F-5-A	1-1/4" (32 mm) Spud Coupling Assembly CP
25	F-5-A	3/4" (19 mm) Spud Coupling Assembly CP
26	F-25-A	1-1/4" (32 mm) Elbow Assembly
27	V-500-A	1-1/2" (38 mm) Vacuum Breaker Assembly RB (Model 150)
	F-22	1" I.P.S. (25 mm DN) Female Outlet RB
	F-2-A	1-1/2" (38 mm) Coupling with S-21 Gasket

† Part number varies with valve model variation; consult factory.