

MANUAL WALL-MOUNT LIQUID SOAP DISPENSER



The SJS-1000 manual soap dispenser uses a bag-type refill that simplifies replacement and reduces waste.

This manual dispenser delivers a pre-measured amount of liquid soap per application – giving approximately 1000 uses per refill. The sight glass indicates low soap level.

- Pre-measured soap per use
- Push-style dispensing mechanism
- Easy-to-use bag refills, no contamination
- Attaches to any wall in minutes

Product Number: SJS-1000

Product Code: 7000000

Color: Chrome and black

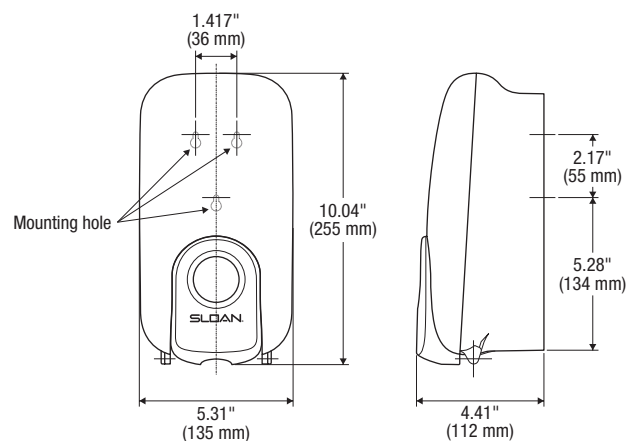
Size: W 5.31" x D 4.41" x H 10.04"
(W 135 mm x D 112 mm x H 255 mm)

Quantity/pack: 1

Quantity/case: 6

Refills:

Product No.	Description	Order No.
SJS-1001	Manual Wall-Mount Liquid Soap	0700200
SJS-1001-1	Manual Wall-Mount Liquid Soap with Moisturizers	0700201
SJS-1001-2	Manual Wall-Mount Liquid Soap Antimicrobial	0700202



The information contained in this document is subject to change without notice.

SLOAN®

Sloan HEALTHMINDER™ Products and Service
10500 Seymour Avenue
Franklin Park, IL 60131-1259
Phone: 877-652-6726
Fax: 800-447-8329
www.sloanvalve.com