

EAF-200

► Description

6 VDC Adapter Powered, Sensor Activated, Electronic Hand Washing Faucet for pre-tempered or hot and cold water operation.

6 VDC Plug-in Adapter Powered Models with Adapter (-P)

- EAF-200-P** Single Supply Faucet (For pre-mixed water only)
- EAF-200-P-ISM** With Integral Spout Temperature Mixer (for Hot and Cold water supply connection)
- EAF-200-P-ISM-IC** With Integral Spout Temperature Mixer and *i.q.-Click* Feature
- EAF-200-P-ISM-DPU-IC** With Integral Spout Temperature Mixer, Drain Pop Up and *i.q.-Click* Feature

6 VDC Plug-in Adapter Powered Models Less Transformer (-LT) (must order adapter, capacitor and splitter cable separately)

- EAF-200-LT** Single Supply Faucet (For pre-mixed water only)
- EAF-200-LT-ISM** With Integral Spout Temperature Mixer (For Hot and Cold water supply connection)
- EAF-200-LT-ISM-IC** With Integral Spout Temperature Mixer and *i.q.-Click* Feature
- EAF-200-LT-ISM-DPU-IC** With Integral Spout Temperature Mixer, Drain Pop Up and *i.q.-Click* Feature

► Flow Rate

- 0.5 gpm/1.9 Lpm Aerator Spray Head – EAF-15

► Specifications

Sensor Activated, Electronic, Chrome Plated Die-Cast Metal, Hand Washing Faucet with the following features:

- Modular One-piece Construction with all Concealed Components above deck
- Double Infrared Sensors with Automatic Setting Feature and Microprocessor
- Magnetic Solenoid Valve
- Water Supply Connection with Flexible High-pressure Hose and Strainer
- 6 Volt DC Plug-in Adapter (must be ordered separately for Less Adapter/Transformer (-LT) faucets)
- Appropriate Mounting Hardware included

► Variations

- ISM** Integral Spout Mixer
- IC** *i.q.-Click* feature
- DPU** Drain Pop Up

► Accessories

- **Trim Plates**
 - ETF-312-A** Trim Plate for 4" (102 mm) Centerset Sink
 - ETF-510-A** Trim Plate for 8" (204 mm) Centerset Sink

Trim Plates must be specified and ordered separately
- **Aerators**
 - EAF-10** 2.2 gpm/8.3 Lpm Aerator Spray Head
 - EAF-13** 2.2 gpm/8.3 Lpm Laminar Flow Spray Head
- **Adapters**
 - EAF-11** 6 VDC Plug-in Adapter
 - EAF-37** 6 VDC Box Mount Adapter
- **Plug-in Adapters**
 - EAF-38** European Plug-in Adapter
 - EAF-39** United Kingdom Plug-in Adapter
- **Extension Cables**
 - EAF-24-A** 11-13/16" (300 mm) Extension Cable
 - EAF-25-A** 47 1/4" (1200 mm) Extension Cable
 - EAF-17-A** 126" (3200 mm) Extension Cable
- **Faucet Extension Kits**
 - EAF-35-A** Faucet Extension Kit
 - EAF-30-A** Faucet Extension Kit (International Version has 1/2G inlet connections)
- **Cables**
 - EAF-23-A** Daisy Chain Electrical Splitter Cable
- **Capacitor Box**
 - EAF-28** Capacitor Box

► Warranty

3 year (limited)

► Compliant to: ASME A112.18.1-2005/CSA B125.1-05, ISO/IEC 17025



The new Optima *i.q.* faucet — Bringing intelligence to water

Sloan's new Optima *i.q.* EAF-200 Series electronic hand washing faucets operate by means of a dual infrared sensor and microprocessor based logic. The modular design incorporates all of the operating components of the faucet, including the sensor, solenoid and circuitry above the sink within a die-cast metal spout.

ISM models feature an integral temperature control lever which allows the user to adjust the water temperature. This adjustment can also be converted to a fixed setting. EAF faucets ordered without the ISM variation must be connected to a single, pre-tempered water supply.

The *i.q.-Click* feature allows the user to place the faucet into optional function modes, including "continuous run" and "temporary off" simply by pressing a button on the spout. The use of the *i.q.-Click* feature is recommended only in installations where users have a regular familiarity with the faucet (i.e., executive and non-public rest rooms). Models furnished with the *i.q.-Click* feature are also available with a Drain Pop Up.

Optima *i.q.* EAF-200 series faucets are powered by a 6 VDC plug-in adapter. Each adapter can supply power for up to six (6) faucets by means of the Daisy Chain Electrical splitter cable (optional) and Capacitor Box (optional) with each (-LT) faucet.



This space for Architect/Engineer approval	
Job Name _____	Date _____
Model Specified _____	Quantity _____
Variations Specified _____	
Customer/Wholesaler _____	
Contractor _____	
Architect _____	

EAF-200

Description

6 VDC Adapter Powered, Sensor Activated, Electronic Hand Washing Faucet for pre-tempered or hot and cold water operation.

Flow Rate

□ 0.5 gpm/1.9 Lpm Aerator Spray Head

ELECTRICAL SPECIFICATIONS

Control Circuit

6 VDC — Includes Auto Set Range Adjustment

Sensor Range

Nominal: 4"-5" (102 mm-127 mm)

Faucet Adaptive Self-adjustment

Range: 2"-14" (51 mm-356 mm) nominal

Power Supply

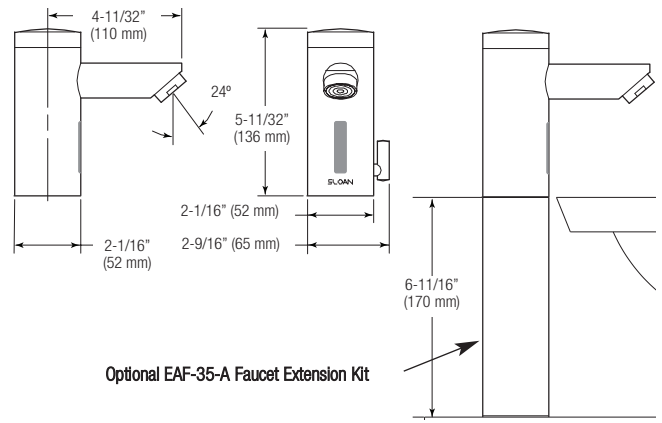
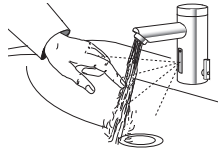
120 VAC/6 VDC Plug-in Adapter

Time Out Setting

2 minutes — Maximum time faucet will run upon continuous detection (except for *i.q.-Click* models that are otherwise set in continuous run).

OPERATION

As the user's hands enter the beam's effective range, the beam is reflected back into the sensor receiver and activates the solenoid valve allowing water to flow from the faucet. Water will flow until the hands are removed or until the faucet reaches its automatic time out limit setting.

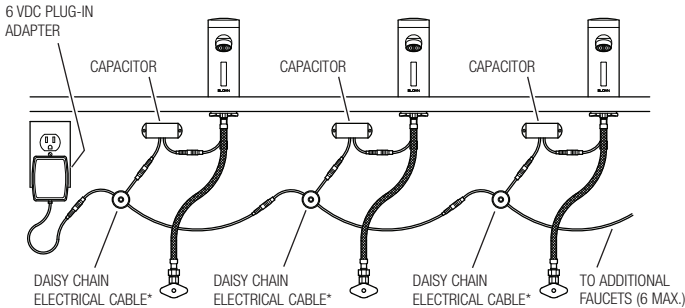


i.q.-Click FEATURE

The *i.q.-Click* is a button that extends from the underside of the faucet spout that allows the user to place the faucet into the following function modes: Continuous Run, Temporary Off, Permanent Off and Auto Set Range Adjustment.

Because the use of the *i.q.-Click* feature requires familiarity with the faucet, this feature is not recommended for faucets intended for use by the general public. The *i.q.-Click* is ideal for use in hospital rooms, executive rest rooms and other locations where the primary user has regular contact with the product.

ELECTRICAL CONNECTION FOR UP TO SIX (6) FAUCETS USING ONE (1) ADAPTER



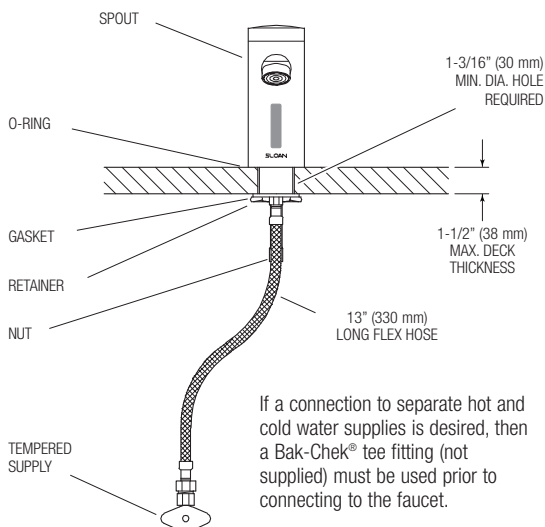
* DAISY CHAIN AND SPLITTER(S) ORDERED SEPARATELY

i.q.-Click SETTINGS

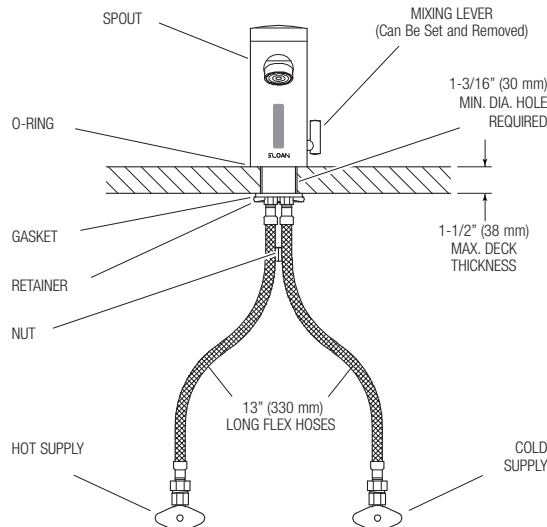
Function	Press Button	LED Signal
Continuous Run — 2 minute default setting (adjustable from 1 - 20 minutes)	1 time for 2 seconds	5 short flashes
reset:	1 time or will reset automatically after 2 minutes	
Temporary Off	2 times (double click)	5 short flashes followed by periodic flashing
reset:	1 time or will reset automatically after 2 minutes	
Auto Set Range Adjustment	2 times (double click) and then 1 time for 5 seconds	5 short flashes followed by 4 short flashes

ROUGH-IN

EAF-200 Faucets with Single Line Water Supply



EAF-200-ISM, EAF-200-ISM-IC AND EAF-200-ISM-DPU-IC Faucets with Hot and Cold Water Supply



When the EAF faucet is installed on a sink that has three (3) hole punchings, a Trim Plate should be used. **Trim Plates must be specified and ordered separately:**

ETF-312-A
Trim Plate for 4" (102 mm)
Centerset Sink

ETF-510-A
Trim Plate for 8" (204 mm)
Centerset Sink

SLOAN VALVE COMPANY • 10500 SEYMOUR AVENUE • FRANKLIN PARK, IL 60131

Phone: 1-800-982-5839 or 1-847-671-4300 • Fax: 1-800-447-8329 or 1-847-671-4380 • www.sloanvalve.com