

EFX-3X0-X1X-0XX0

► Description

Battery powered, sensor activated, electronic, chrome plated die cast body, pedestal hand washing faucet for pre-tempered or hot and cold water operation.

► Flow Rates

- 0.5 gpm/1.9 Lpm Multi-Lam Spray
- 1.5 gpm/5.7 Lpm Aerated Stream
- 1.5 gpm/5.7 Lpm Laminar Stream

► Specifications

Battery Powered, Capacitance Sensing, Electronic, Chrome Plated Die Cast Body, Hand Washing Faucet with the following features:

- Modular construction
- One tool service
- Solenoid housed in removable carrier that includes supply strainer
- Integral water supply shut off
- Supply strainer serviceable from above deck
- Vandal resistant spray insert, key housed inside faucet body
- All electronics sealed to IP-67
- Gold plated electrical contacts
- Above deck individual diagnostic indicators for battery life, solenoid condition, and power-up mode
- Automatically selects pre-set time-out based on flow rate
- Capacitance sensing eliminates potential vandal point
- Flexible, high pressure supply hoses, 3/8" compression connections
- Bi-stable magnetic solenoid
- Four (4) "AA" alkaline batteries
- Single hole installation (pedestal)
- Includes all mounting hardware
- Turbine power option
- Line powered using a variety of voltage adapters
- Batteries act as a backup in line powered application
- Thermostatic, below deck for ASSE 1070 compliance



EFX-350.010.0000 Shown

BASYS Spec Language

Sloan BASYS Model No. EFX-3_____. Capacitance Sensor Activated Electronic Handwashing Faucet for pre-tempered or hot/cold water supplies. Solenoid valve housed in removable carrier that closes water supply upon removal, eliminating need to access control stops. Solenoid carrier includes mesh filter for easy access and service without disconnecting the supply lines. Thermostatic mixer ordered separately to comply with ASSE 1070 requirements. The product shall be tested and certified to industry standards: ASME A112.18.1M, CSA B125.1, California Health and Safety Code 116875 (AB1953-2006), and Vermont Bill S.152. This product meets ADA ANSI/ICC A117.1 requirements.

► Model Creation Guide

EFX 3 X 0 . X 1 X . 0 X X 0

	Body Type	Power	Crown	Mix	Sensing	Flow Rate	Battery Type	Base Plate	Adapters	Drain Pop-Up
0	-	<input type="checkbox"/> Hardwire	Standard	<input type="checkbox"/> None	-	<input type="checkbox"/> 0.5 gpm Multi-Lam	Alkaline	<input type="checkbox"/> None	<input type="checkbox"/> None	No
1	-	-	-	<input type="checkbox"/> Below Deck Mechanical	Capacitance	-	-	<input type="checkbox"/> 4"	<input type="checkbox"/> Plug-In	-
2	-	-	-	<input type="checkbox"/> Below Deck Thermostatic	-	<input type="checkbox"/> 1.5 gpm Aerated	-	<input type="checkbox"/> 8"	-	-
3	Pedestal	-	-	-	-	<input type="checkbox"/> 1.5 gpm Laminar	-	-	-	-
4	-	-	-	-	-	-	-	-	<input type="checkbox"/> Box Mount	-
5	-	<input type="checkbox"/> Battery	-	-	-	-	-	-	-	-
8	-	<input type="checkbox"/> Turbine	-	-	-	-	-	-	-	-

► Options

- EAF-23 Splitter
- EAF-24-A 11-13/16" Extension Cable
- EAF-25-A 47-1/4" Extension Cable
- EAF-17-A 126" Extension Cable

► Special Finish

- PVDSF Satin (Chrome) Finish

► Warranty

3 year (limited)

Not intended for installation on a metal sink or deck (i.e. stainless steel or cast iron)



This space for Architect/Engineer approval

Job Name _____ Date _____

Model Specified _____ Quantity _____

Variations Specified _____

Customer/Wholesaler _____

Contractor _____

Architect _____

EFX-3X0-X1X-0XX0

► Description

Battery powered, sensor activated, electronic, chrome plated die cast body, pedestal hand washing faucet for pre-tempered or hot and cold water operation.

► Flow Rates

- 0.5 gpm/1.9 Lpm Multi-Lam Spray
- 1.5 gpm/5.7 Lpm Aerated Stream
- 1.5 gpm/5.7 Lpm Laminar Stream

ELECTRICAL SPECIFICATIONS

► Control Circuit

6 VDC Adjustable Range Time Out Settings, Modular Plugs and Troubleshooting LED Indicators.

► Battery Life

3-years under worst case conditions of 8,000 cycles per month and high water pressure. Optional power harvesting may extend service life of batteries to equal the shelf life.

► Sensor Range

Dynamically Adjusted Up To Max. 3" from Any Faucet Surface

► Solenoid Valve

Filtered Solenoid Valve with Serviceable Strainer Filter

► Optional Voltage Adapter

120 VAC – 50/60 Hz, 6 VDC

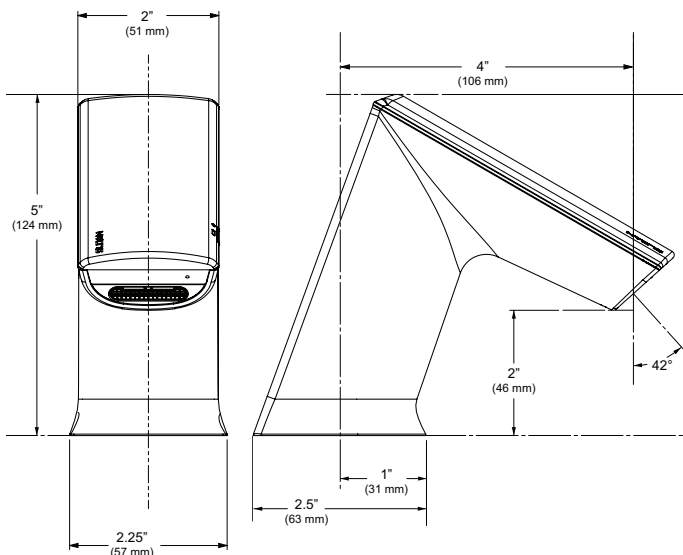
► Automatic Time Out Adjustment Settings

10 seconds — The Faucet Time out Setting determines the maximum time the faucet will run upon continuous detection. The EFX Faucet is factory set at 10 second time out at 1.5 gpm and 30 second time out at 0.5 gpm. Consult factory for time out settings to meet individual application requirements.

► Max. Distance Control Module may be installed from Spout

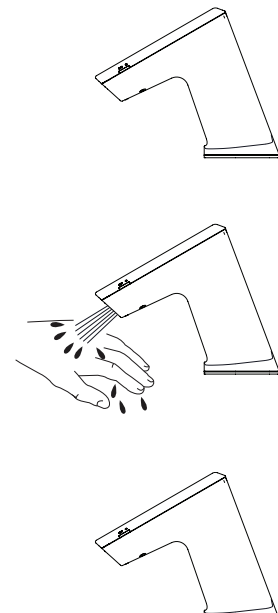
With Standard Cable: 30" (762 mm)

DIMENSIONS



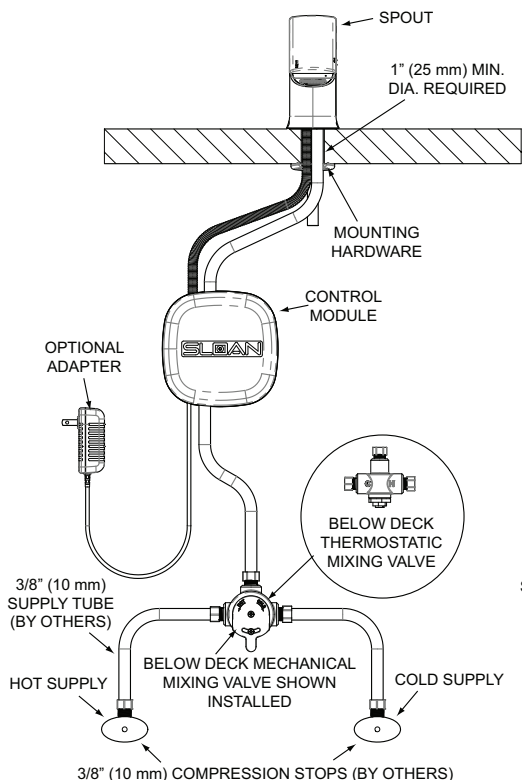
OPERATION

1. A continuous electric field is emitted and monitored by the faucet system.
2. As the user's hands enter the effective range the sensor activates the solenoid valve allowing tempered water to flow from the faucet. Water will flow until the hands are removed or until the faucet reached its automatic time out setting.
3. When hands are moved away from the EFX faucet, the capacitive sensor deactivates the solenoid valve, shutting off the water flow. The system automatically resets and is ready for the next user.

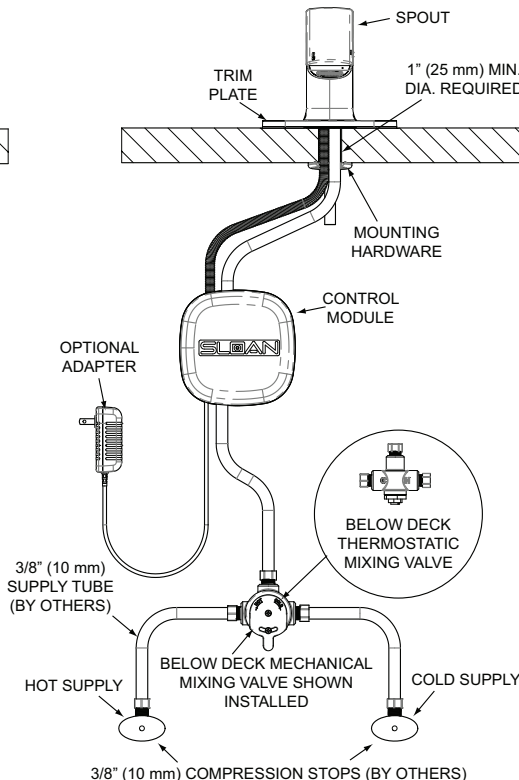


ROUGH-IN DIAGRAM

EFX Faucet with Below Deck Thermostatic for Hot and Cold Water Supply



EFX Faucet with Below Deck Thermostatic for Hot and Cold Water Supply (shown with 4" Trim Plate)



When the EFX Series faucet is installed on a sink that has three (3) hole punchings, a Base Plate should be used. **Base Plates should be specified at time of order.**
 EFX-20 – 4" Centerset
 EFX-26 – 8" Centerset

Not intended for installation on a metal sink or deck (i.e. stainless steel or cast iron)

SLOAN VALVE COMPANY • 10500 SEYMOUR AVENUE • FRANKLIN PARK, IL 60131

Phone: 1-800-9-VALVE-9 or 1-847-671-4300 • Fax: 1-800-447-8329 or 1-847-671-4380 • www.sloanvalve.com