

Regal® 186-0.5 XL



Flushometer

- ▶ **Models Available**
□ Regal 186 XL

- ▶ **Description**
Exposed Urinal Flushometer, for 3/4" top spud urinals.

- ▶ **Flush Cycle**
□ Model 186-0.5 High Efficiency (0.5 gpf/1.9 Lpf)

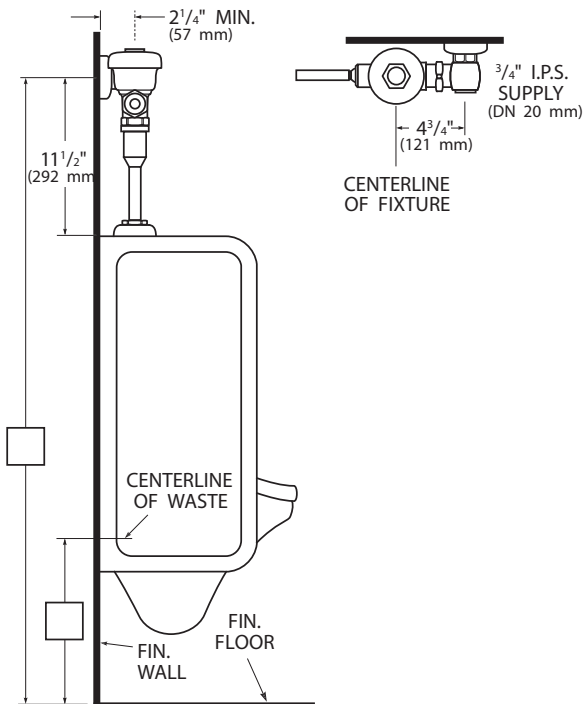
- ▶ **Specifications**
Quiet, Exposed, Diaphragm Type, Chrome Plated Urinal Flushometer with the following features:

- ADA Compliant Metal Oscillating Non-Hold-Open Handle
- 3/4" I.P.S. Screwdriver Bak-Chek™ Angle Stop
- Control Stop Plug
- Sweat Solder Adapter with Cover Tube
- Adjustable Tailpiece
- Cast Wall Flange with Set Screw
- Vacuum Breaker Flush Connection
- Spud Coupling Wall and Spud Flange for 3/4" Top Spud
- High Copper, Low Zinc Brass Castings for Dezincification Resistance
- Non-Hold-Open Handle and No External Volume Adjustment to Ensure Water Conservation
- Low Consumption flush accuracy controlled by Para-Flo™ Technology
- Handle Packing, Stop Seat and Vacuum Breaker to be Molded from PERMEX™ Rubber Compound for Chloramine Resistance

Valve Body, Cover, Tailpiece and Control Stop shall be in conformance with ASTM Alloy Classification for Semi-Red Brass. Valve shall be in compliance to the applicable sections of ASSE 1037.

- ▶ **Accessories**
See Accessories Section of the Sloan catalog for details on these and other Flushometer variations.

- ▶ **Fixtures**
Consult Sloan for Sloan brand matching fixture options.



Listed by I.A.P.M.O.



This space for Architect/Engineer approval

The information contained in this document is subject to change without notice.

SLOAN

SLOAN VALVE COMPANY • 10500 SEYMOUR AVE. • FRANKLIN PARK, IL 60131

Ph: 1-800-9-VALVE-9 or 1-847-671-4300 • Fax: 1-800-447-8329 or 1-847-671-4380

<http://www.sloanvalve.com>