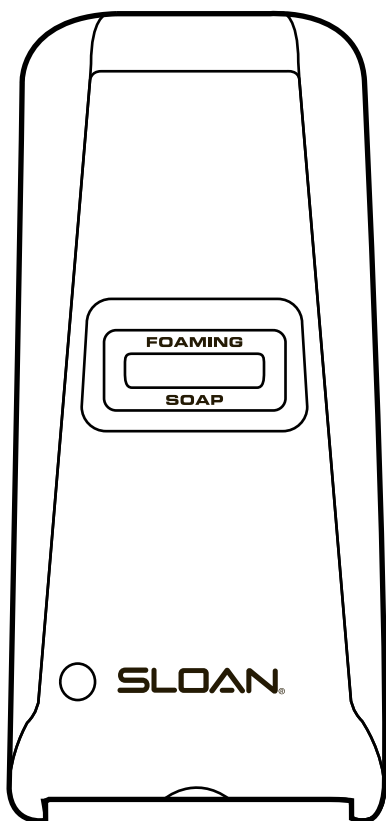


Sensor Wall-Mount Foam Soap Dispenser



Installation & Operating Instruction Manual

Thoroughly read this instruction booklet before operating Sloan dispensers.

Keep this **Installation & Operating Instruction Manual** with other product information for future reference.

Electronic Dispensers

SJS-1150 Sensor Wall-Mount Foam Soap Dispenser

Specifications

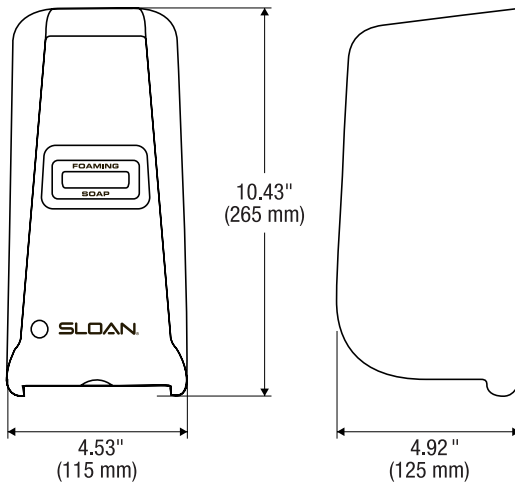
Width	4.528" (115 mm)
Height	10.43" (265 mm)
Depth	4.921" (125 mm)
Power Supply	Four (4) C-Cell Alkaline Batteries
Battery Life	28,000 dispenses or stand-by at 18 months
Volume	0.8 mL per dispense
Installation	Wall Mount (Adhesive/Screws)

Specifications are subject to change without notice.

Table of Contents

	Page
Dimensions	2
Installation and Set-up	3
Troubleshooting	4
Emergency Measures	4
Consumables Chart	4

Dimensions



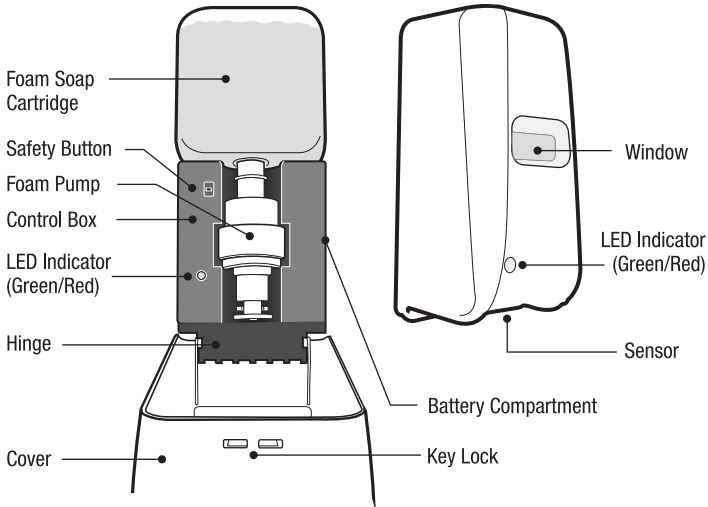
Parts

Installation and Set-up Parts

- Dispenser (1)
- Key (1)
- Alcohol Wipe (1)
- Screws Anchors (5)
- Double Face Tape (1)
- C-Cell Batteries (4)
- Instruction Manual (1)

Tools for installation

- Drill bits
- Electric drill
- Phillips screwdriver
- Tape measure/ruler
- Hammer



INSTALLATION

STEP 1

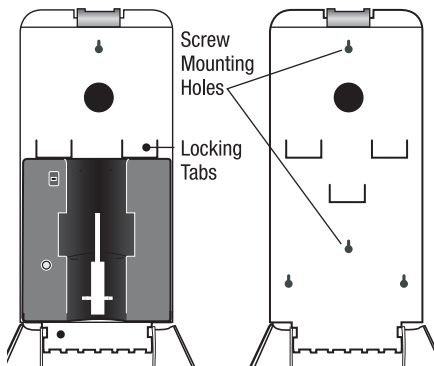
Locating Dispenser

Mount dispenser at least 12" above a surface. Allow 3.5" clearance above dispenser to be able to use the key to open and close cover.

Installation using screws and anchors:

Open the dispenser by using the provided key to press down and release the locking tabs at the top of the dispenser. The cover is hinged at the bottom of the dispenser.

Depress two locking tabs (see below) and slide battery compartment up and out to expose lower mounting holes. Hold the dispenser against the wall in the desired location with cover open and mark screw hole locations on the wall.

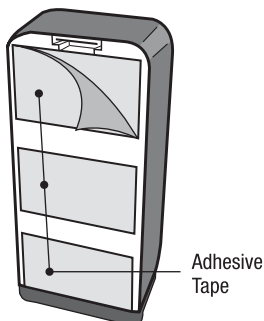


Install provided anchors into drywall and secure the dispenser with the provided screws. Replace battery compartment.

Installation using adhesive tape:

Make sure the mounting surface is flat, clean and dry. (Adhesive mounting is only recommended for mirrors or similar surfaces.)

Remove protective backing from adhesive tape and press dispenser firmly against the

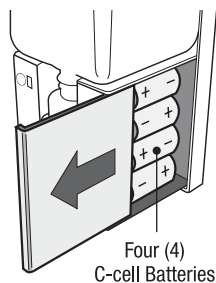


mounting surface for about 15 seconds. Open front cover and press directly against back plate for an additional 15 seconds. Allow 4 hours to set before using the dispenser.

STEP 2

Installing the batteries

Open the dispenser (see Step 1), locate the battery compartment on the right side of the dispenser and slide the compartment cover forward, away from the wall. Place four (4) C-cell batteries in the proper orientation and replace the compartment cover.

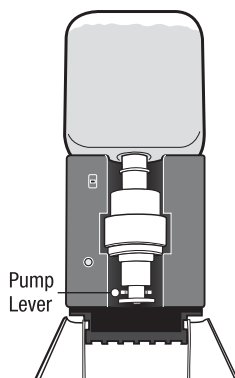


Installing the soap cartridge

Open the dispenser (see Step 1).

Place the the soap cartridge on top of the control box with the pump facing front and orientated downward.

The pump should easily fit into the groove on the control box. Make sure that the pump "lever" is toward the bottom of the pump, just above the tip of the pump nozzle.



Close the dispenser cover. The LED indicator will blink GREEN/RED three times. The dispenser is now ready to be used.

Place hand(s) underneath the dispenser, within 10 cm of the sensor. The LED will blink GREEN and dispense 0.8 mL of foaming soap onto your hand(s).

TROUBLESHOOTING

Before calling for repair of Sensor Models

Problem: Blinking red LED indicator

1. Batteries need replacement

Problem: The unit does not operate

1. Check if the unit is securely closed
2. Check if pump is securely set
3. Check if the batteries need replacement

Problem: Liquid is not dispensed

1. Check if the foam soap has run out
2. Check if nozzle is clogged

If trouble continues, call 877-752-6726.

PRECAUTIONS

Before using the dispenser, thoroughly read the "Precautions" attached to the foam soap product.

Immediately clean any spill on the floor to help avoid falling, injuries or other hazards.

CONSUMABLES

Product No.	Description	For use with	Order No.
SJS-1151	Sensor Wall-Mount Foam Soap	SJS-1150	0700505
SJS-1151-1	Sensor Wall-Mount Foam Soap with Moisturizers	SJS-1150	0700506
SJS-1151-2	Sensor Wall-Mount Foam Soap Antimicrobial	SJS-1150	0700507

EMERGENCY MEASURES

Take action according to the instructions on the foam soap container.

Eye Contact

Flush eyes with water for a minimum of 15 minutes and consult a physician immediately.

Ingestion

Drink water to induce vomiting and consult a physician immediately.

Inhalation

Get fresh air immediately. If condition does not improve, consult a physician immediately.

SLOAN®

The information contained in this document is subject to change without notice.

Sloan HEALTHMINDER™ Products and Service
10500 Seymour Avenue
Franklin Park, IL 60131-1259
Phone: 877-652-6726
Fax: 800-447-8329
www.sloanvalve.com

©2008 Sloan Valve Company
Printed in the U.S.A. JSD6052.2 02/08