

ETF-800

► **Description**
Wall Mounted, Sensor Activated Electronic Hand Washing Faucet for tempered or hot/cold water operation.

► **Flow Rate**
 1.5 gpm/5.7 Lpm Laminar Flow Spray Head

► **Specifications**
ADA Compliant, Sensor Activated, 24 VAC, Chrome Plated Brass, Hand Washing Faucet with the following features:

- Splash-proof Circuit Control Module
- Sensor Range Adjustment Screw
- Troubleshooting LED Indicator Lights
- User friendly Variable Time Out Settings
- Filtered Solenoid Valve with serviceable "Y" Strainer Filter
- Bak-Chek[®] Tee for Hot/Cold Supply
- 120 VAC/24 VAC Transformer (specify Plug-in or Box Mount)
- Spray Head with Pressure Compensating Flow Control
- Metal Jacketed Wire Protection for Solenoid Leads
- Modular Quick-release Sensor and Solenoid Connections
- Optional 0.5 gpm/1.9 Lpm Max. Spray Head included

► **Variations**
(Add suffix to Model Number for inclusion with Faucet)

- **Transformer Type (must be specified)**
 - P** Plug-in Transformer (furnished with ETF-233)
 - B** Box Mount (furnished with EL-248-40)
 - LT** Less Transformer (specify Transformer separately - See Accessories)

Consult Factory for Finish Variations

► **Accessories (Specify separately)**

- **Transformers**
 - ETF-233** 120 VAC/24 VAC, 50/60 Hz (35 VA) - Plug-in (will operate up to 2 faucets)
 - EL-248-40** 120 VAC/24 VAC, 50/60 Hz (40 VA) - Box Mount (will operate up to 2 faucets)
 - EL-154** 120 VAC/24 VAC, 50/60 Hz (50 VA) - Box Mount (will operate up to 3 faucets)
- **Grid Strainer**
 - ETF-460-A** Chrome Plated Brass Grid Strainer w/1¼" Outlet Tube

See OPTIMA Accessories Section of the Sloan Catalog for a complete listing of OPTIMA Faucet Accessories and Variations.



► **ADA Compliant**

► **Automatic**
The Sloan OPTIMA[®] ETF-800 Electronic Hand Washing Faucet operates by means of an infrared sensor. Once the user's hands enter the sensor's effective range, the Solenoid activates the water flow. Tempered water flows from the Faucet until hands are moved away. The Faucet then automatically shuts off and resets for the next use.

► **Hygienic**
The ultimate in sanitary protection — there are no handles to turn or buttons to push. Helps to control the spread of infectious diseases.

► **Economical**
Automatic operation provides water usage savings over other faucet devices. Reduces maintenance and operation costs.

► **Warranty**
3 year (limited)

► **Compliant to:**
ASME A112.18.1 and CSA B125.1

 [®] Listed by I.A.P.M.O.



| | |
|--|----------------|
| This space for Architect/Engineer approval | |
| Job Name _____ | Date _____ |
| Model Specified _____ | Quantity _____ |
| Variations Specified _____ | |
| Customer/Wholesaler _____ | |
| Contractor _____ | |
| Architect _____ | |

ETF-800

Description

Wall Mounted, Sensor Activated Electronic Hand Washing Faucet for tempered or hot/cold water operation.

Flow Rate

□ 1.5 gpm/5.7 Lpm Laminar Flow Spray Head



ELECTRICAL SPECIFICATIONS

Control Circuit

24 VAC Input/Output, 50/60 Hz, Adjustable Range & Time Out Settings, Modular Plugs & Troubleshooting LED Indicators

OPTIMA® Sensor Range

Factory Set: 6" - 8" (152 mm - 203 mm)
Adjustable: 1" - 14" (25 mm - 356 mm)

Solenoid Valve

24 VAC 50/60 Hz with integral "Y" strainer filter, 3/8" NPT Inlet/Outlet.

Time Out Adjustment Settings

3, 6, 12, 30 & 45 seconds; 1, 3 & 20 minutes. The Faucet Time Out Setting determines the maximum time the faucet will run upon continuous activation. This timing can be changed to meet individual application requirements. Unless otherwise specified the ETF-800 is factory set at the 30 second time out.

Transformer

All Sloan Transformers are 50/60 Hz. Multiple faucets can be powered by a single transformer, provided that the transformer has been properly sized. Allow a minimum of 15 VA of current rating for each faucet being used.

Plug-in ETF-233 120 VAC/24 VAC - 35 VA (supplied with "P" variation)
Box Mount EL-248-40 120 VAC/24 VAC - 40 VA (supplied with "B" variation)

Max. Distance Control Module may be Installed from Spout

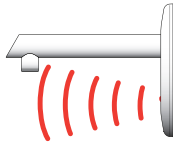
With Standard Cable: 12" (305 mm)

Extension Cable (Optional)

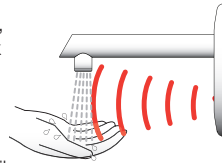
From Sensor to Control Module:
ETF-1005-72 72" (1829 mm)

OPERATION

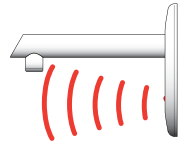
1. A continuous invisible beam of light is emitted from the OPTIMA® Sensor located below the faucet spout.



2. As the user's hands enter the beam's effective range, the beam is reflected back into the sensor receiver and activates the solenoid valve allowing tempered water to flow from the faucet. Water will flow until the hands are removed or until the faucet reaches its automatic time out limit setting.

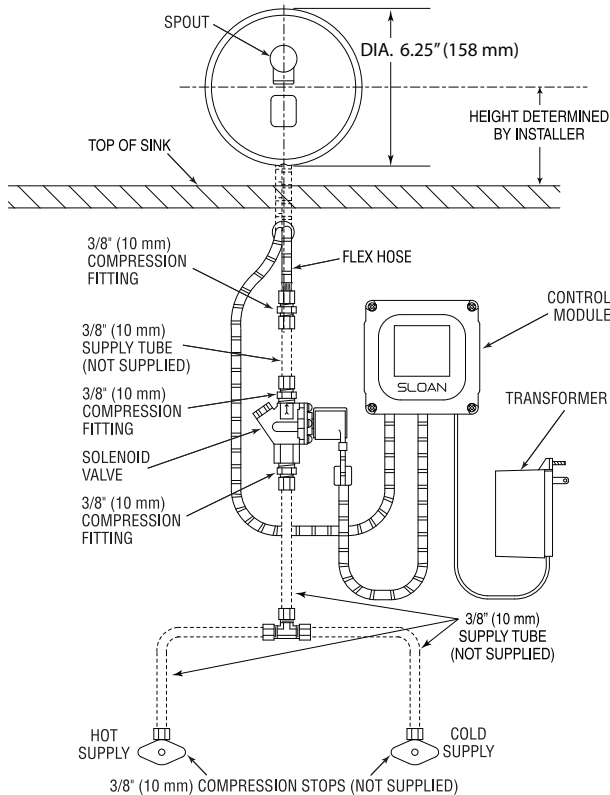


3. When hands are moved away from the OPTIMA® Sensor, the loss of reflected light initiates an electrical signal that deactivates the Solenoid Valve shutting off the water flow. The Circuit then automatically resets and is ready for the next user.

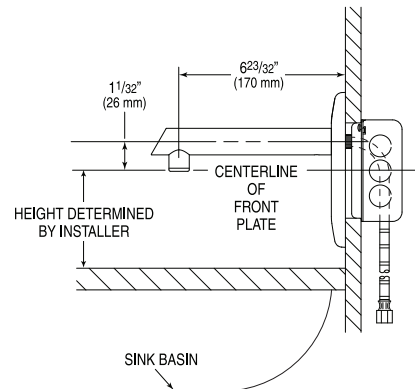


ROUGH-IN

ETF-800 Faucet with Bak-Chek® Tee for Hot and Cold Water Supply



Rough-in Dimensions (side view)



SLOAN VALVE COMPANY • 10500 SEYMOUR AVENUE • FRANKLIN PARK, IL 60131

Phone: 1-800-982-5839 or 1-847-671-4300 • Fax: 1-800-447-8329 or 1-847-671-4380 • www.sloanvalve.com